

Printed Fabric Finish

absorbor, bad panel, abflector, modex



Decorate any RPG fabric wrapped panel with the pictures YOU want.

Problem

standard acoustic panel fabrics are only available in certain colours and fabric types.

Solution

a fabric that can have artwork or photographs of your choice digitally printed onto it, that can then be wrapped over RPG Absorbor, BADpanel and other absorbing or diffusing panels.



have one large panel*



or make 3 smaller ones*

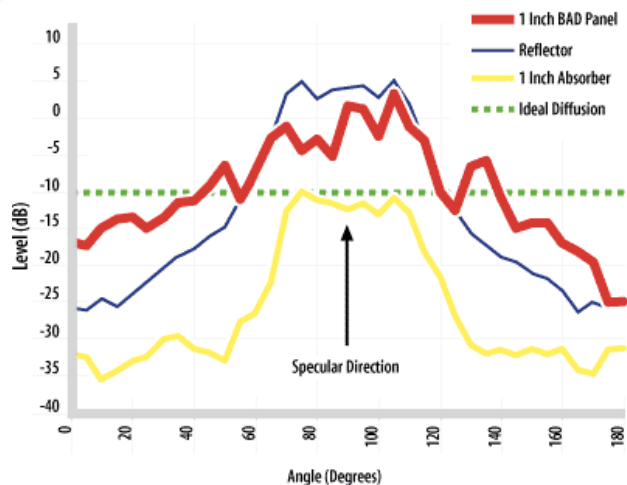
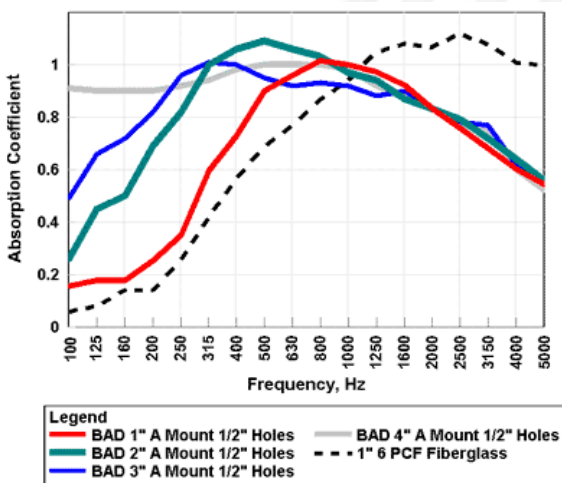
*Fabric is BS476 part 7 class 1. Printing area up to 1500mm.

Combining the visual appeal of the designers choice with the absorption of the absorbor and diffusion of the BADpanel means that compromise on finish is no longer an issue.

Applications

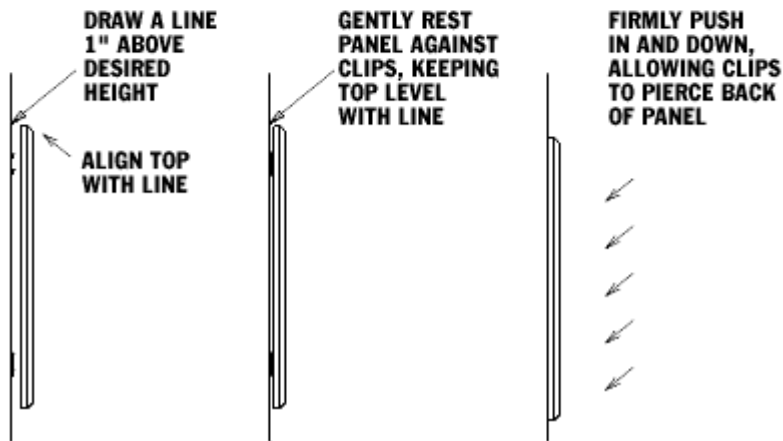
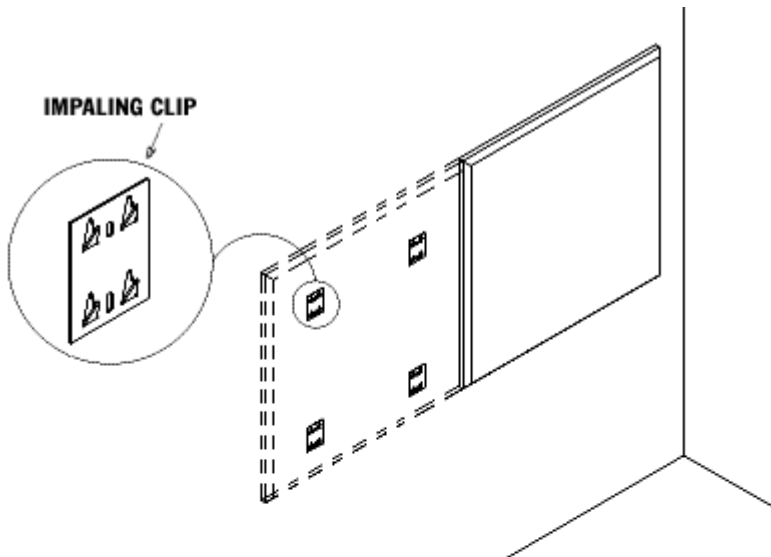
Can be used in all the same places as Absorbor and BADpanel.

Performance is unaffected unlike traditional painting and printing fabrics. Anything that can be created or stored digitally can be transferred to these panels.



Mounting

Absorbers can be wall or ceiling mounted, wall mounting is through wall mounted impaling spikes, the panel is then pressed onto the spikes. This allows the panels to be moved should it be absolutely necessary. Ceiling mounting is by a Split channel mounting system, this allows easy installation and removal.



Mounts also available for batten and ceiling fixing.

For further details contact Acoustic GRG Products LTD on 01303 230944 or email moule@rpgeurope.com

Photograph ©mathew moule